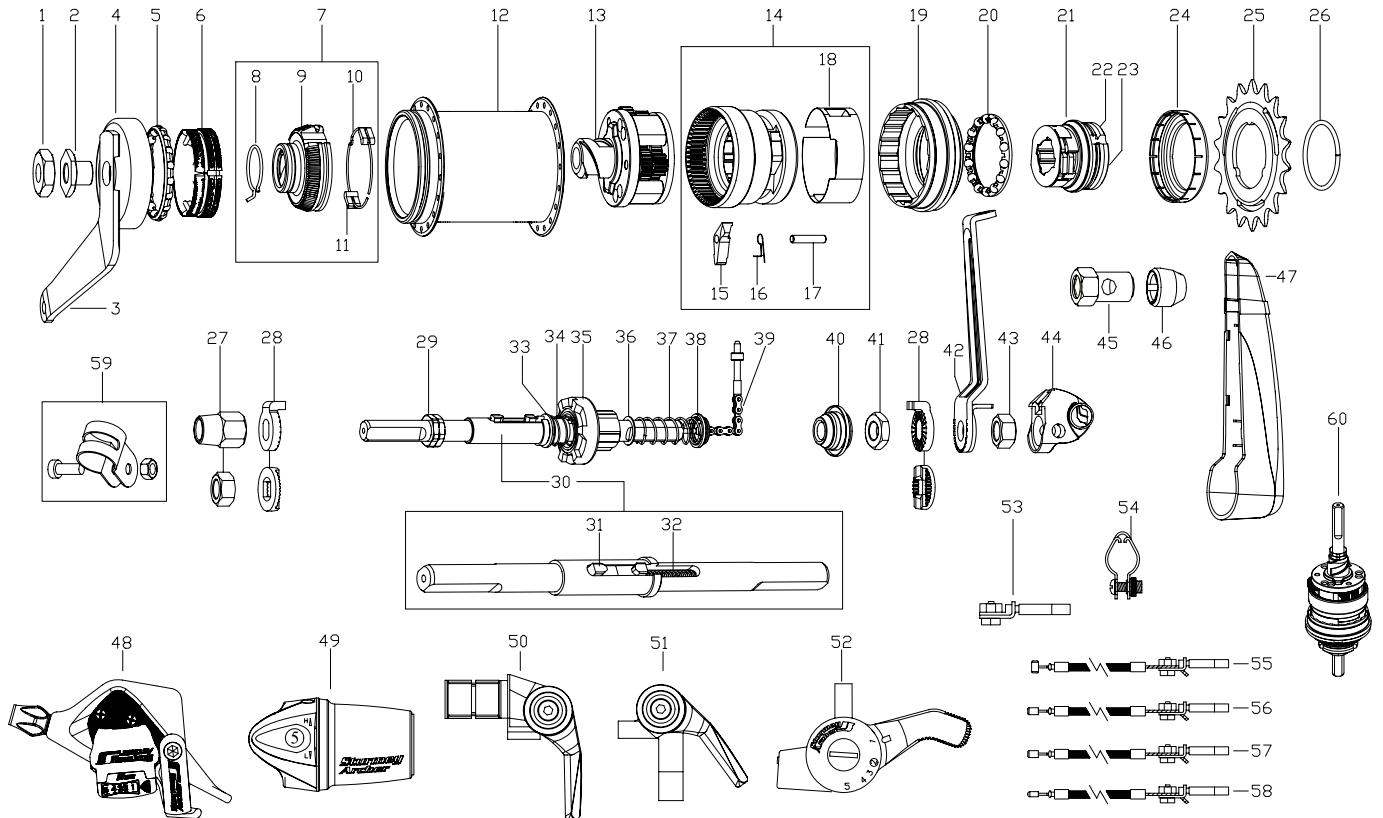


## Part List –X-RC5(W)/SRC5(W)/S5C(W) Five Speed Hub



Item No.	Sales No.	Description
1	HMN404	Cone Locknut
2	HMN403	Brake Arm Nut
3	HSH487	Brake Arm
4	HSH491	Brake Arm Assembly
5	HSA164	L.H. Ball Cage Assembly
6	HSH490	Brake Shoes
7	HSH473	Brake Actuator Assembly (includes 2 off item 11 and 1 off items 8,9,10)
8	HSH407	Brake Actuator Drag Spring
9	HSH476	Brake Actuator
10	HSH494	Brake Actuator Pawl Spring
11	HSH493	Brake Actuator Pawl
12	HSA669	S5C(W) Hub Shell Assembly 36 Holes
	HSA656	S-RC5(W) Hub Shell Assy. 36 Holes
	HSA657	X-RC5(W) Hub Shell Assy. 36 Holes
13	HSA658	Planet Cage-Pinion Assembly
14	HSA659	Gear Ring Assembly (includes 1 off items 18 and 2 off items 15,16,17)
15	HSA119	Pawl for Gear Ring
16	HSA120	Pawl Spring
17	HSA415	Pawl Pin
18	HSA542	Drag Spring
19	HSA661	Ball Ring (for S5C(W)) Ball Ring (for S-RC5(W),X-RC5(W))
20	HSA437	Ball Cage Assembly
21	HSA407	Driver Assembly (includes 1 off items 22 and 23)
22	HSA284	Ball Cage Assembly R.H.
23	HSA102	Outer Dustcap
24	HSL 871	Plastic Sprocket Dustcap

Item No.	Sales No.	Description
25	HSL854	13T(Chrome) / HSL713 13T(Black)
	HSL852	14T(Chrome) / HSL714 14T(Black)
	HSL850	15T(Chrome) / HSL715 15T(Black)
	HSL848	16T(Chrome) / HSL716 16T(Black)
	HSL846	17T(Chrome) / HSL772 17T(Black)
	HSL844	18T(Chrome) / HSL818 18T(Black)
	HSL836	19T(Chrome) / HSL719 19T(Black)
	HSL834	20T(Chrome) / HSL720 20T(Black)
	HSL832	21T(Chrome) / HSL747 21T(Black)
	HSL830	22T(Chrome) / HSL722 22T(Black)
26	HSL721	Sprocket Circlip
27	HMN388	Dome Nut 13/32"
	HMN128	Axle Nut L.H.
28	HMW518	Lockwasher 4.0t - 9.5mm Slot
	HMW515	Lockwasher 1.8t - 9.5mm Slot
	HMW526	Lockwasher 2.0t - 9.5mm Slot, SA logo
29	HMN382	Axle Nut
30	HSA662	Axle Assembly (includes 1 off items 31 & 32)
31	HSA663	Gear Selector Key Assembly
32	HSA664	Indicator Spring
33	HSA665	Clutch Sleeve
34	HSA666	Sleeve Spring
35	HSA667	Clutch
36	HMW327	Clutch Washer
37	HSA128	Clutch Spring
38	HSA668	Cap for Clutch Spring
39	HSA585	Yellow indicator
40	HSA101	R.H. Cone
41	HMN405	Cone Locknut

Item No.	Sales No.	Description
42	HSJ905	Fulcrum Lever w/ Locating Washer
43	HMN128	L.H. Axle Nut
44	HSA650	Gear Selector Guide (window)
45	HMN129	R.H. Axle Nut
46	HSL711	Indicator Guide
47	HSA620	Gear Selector Guide Full Cover
48	HSJ958	DLS52 shifter w/2000 cable
49	HSJ952	TSS55 shifter w/2000 cable
50	HSJ960	SLS50(B-type) shifter w/2000 cable
51	HSJ959	SLS50(T-type) shifter w/2000 cable
52	HSJ968	SLWSN shifter+2000 cable
53	HSL759	Cable Anchorage
54	HSJ553	Chainstay Fulcrum Clip φ15.9mm
	HSJ548	Chainstay Fulcrum Clip φ17.9mm
	HSJ753	Chainstay Fulcrum Clip φ19.1mm
55	HSJ802	Thumb Shifter Cable with Anchorage 1420 x 1550mm Black
56	HSJ969	DLS52 and SLS50(T-type) Cable w/Anchorage 1420 x 1550 mm Black
57	HSJ971	SLS50(B-type) Shifter Cable w/Anchorage 1850 x 2500 mm Black
58	HSJ970	TSS55 Shifter Cable w/Anchorage 1420 x 1550mm Black
59	HSL767	Brake Arm Clip Assembly – 15.5mm
	HCB101	Brake Arm Clip Assembly – 15.9mm
60	HSX148	S5C(W) Gear Internal Assembly Complete
	HSX149	X-RC5(W) Gear Internal Assembly Complete

**Sun Race Sturmey-Archer Inc.**  
No.51. Hai-Shan-Jung St., Hai-Hu Village,  
Lu-Ju City, Taoyuan County 338, Taiwan  
Tel: +886(3)354-2691, Fax: +886(3)354-2858  
http://www.sunrace.com; www.sturmey-archer.com  
E-mail: info@sunrace.com

**Sun Race Sturmey-Archer Europe**  
Keienbergweg 79, 1101 GE Amsterdam Z.O.,  
The Netherlands  
Tel: +31(0)20-60 90 221. Fax: +31(0)20-60 90 211  
http://www.sunrace.com; www.sturmey-archer.com  
E-mail: info@sunrace.nl

**Sun Race Sturmey-Archer USA**  
3212 Jefferson Street #409 Napa, CA 94558-3436 USA  
Tel: +1(707)259-6700, Fax: +1(707)259-6710  
http://www.sunrace.com; www.sturmey-archer.com  
E-mail: info@sunrace.com



## Part List –X-RC5(W)/SRC5(W)/S5C(W) Five Speed Hub