



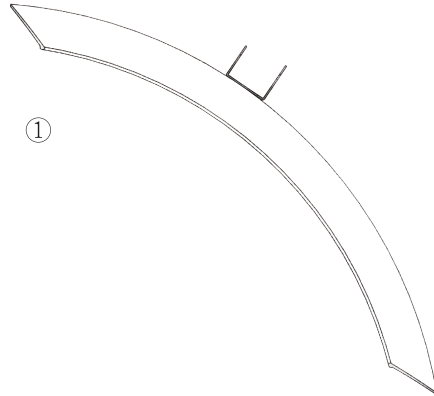
# Baja Trike Fender Set

P/N 290456 - Compatible only with Sun Baja Trike

## Components

1. Front Fender

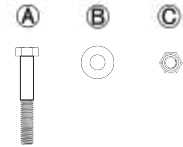
x1pc



## Fasteners

- A) M6xP1.0x50L hex
- B) M6 washer
- C) M6xP1.0 nylon locknut

1pc  
1pc  
1pc

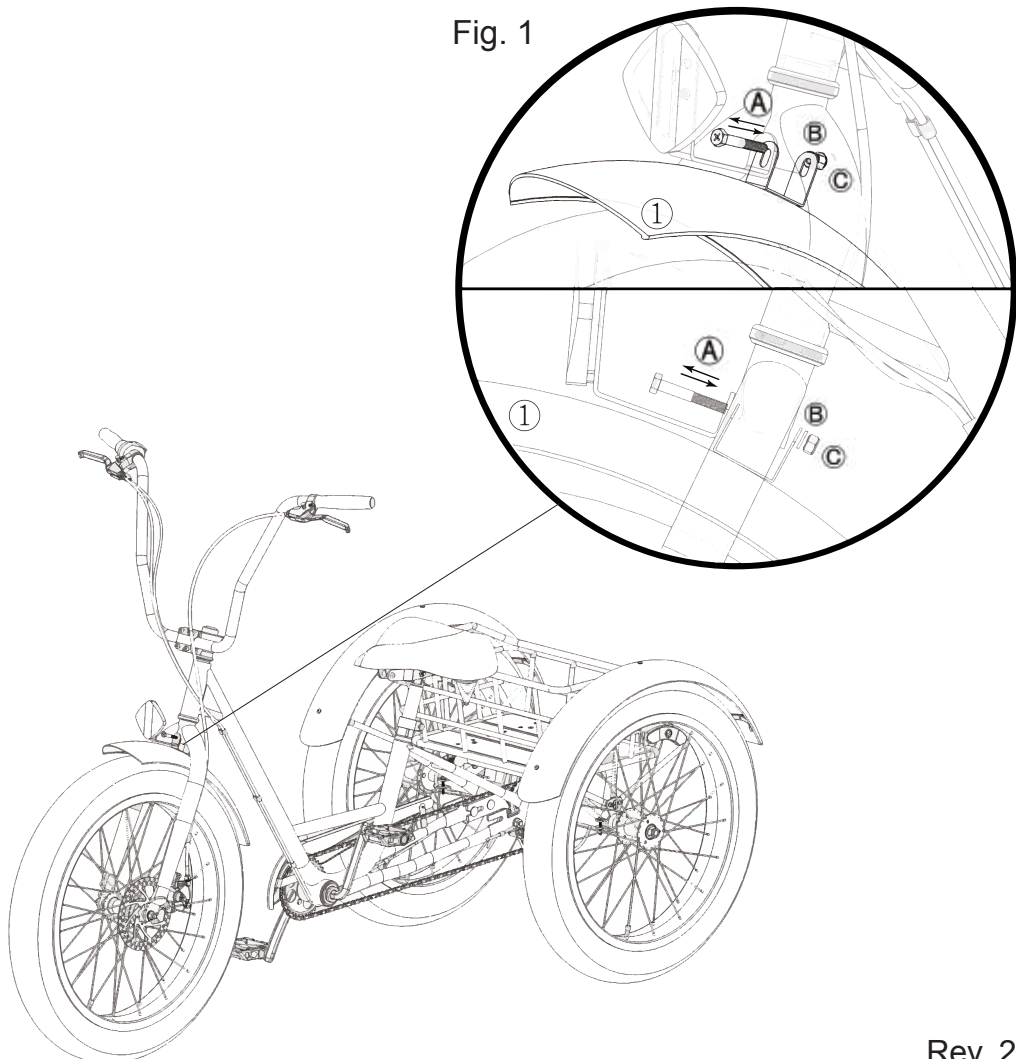


## Installation

### Front Fender

Fig. 1. Replace the M6x45L hex screw with M6x50L hex screw **A**+ M6 nylon locknut **B**+ M6 washer **C**, lock the front fender **1** and the fork.

Fig. 1



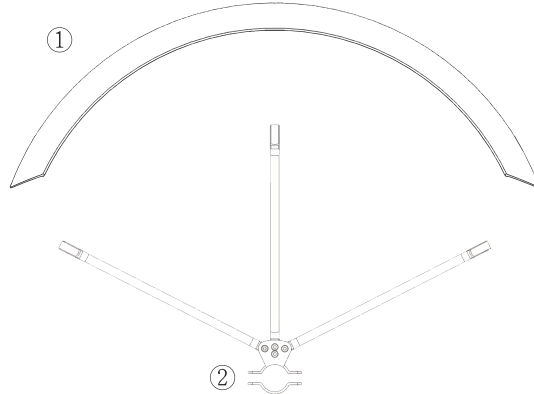


# Baja Trike Fender Set

P/N 290456 - Compatible only with Sun Baja Trike

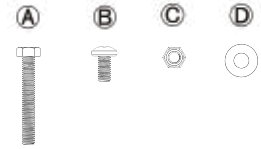
## Components

- 1. Rear Fender x2pcs
- 2. Rear Fender Stay Set x2sets



## Fasteners

- A) M6xP1.0x35L hex 4pcs
- B) M5xP0.8x10L pan head 6pcs
- C) M5xP0.8 nylon locknut 6pcs
- D) M6 washer 4pcs



## Installation

**Rear Fender** (The installation method is the same on the left and right sides)

- Fig. 1. Use M5 screw **B** + M5 nylon locknut **C**, in holes of rear fender **1**, lock the rear fender stays **2**.
- Fig. 2. Use M6 hex screw **A** + M6 washer **D**, lock fender stay mount **2** and rear unit of axle tube.

Fig. 1

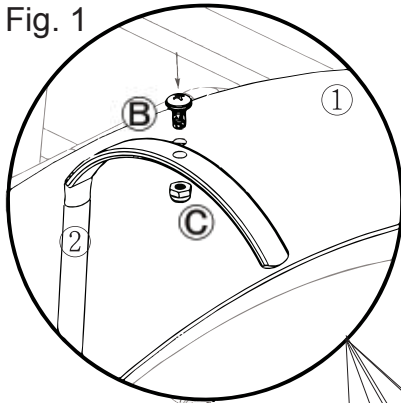


Fig. 2

